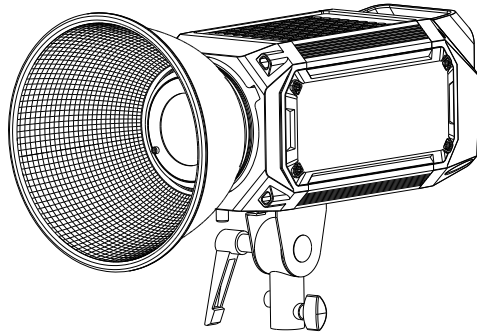


User Manual

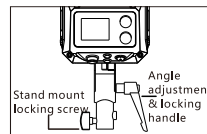
LED video light



IV. Usage

1. Lamp Installation

1) Loosen the stand mount locking screw by turning counterclockwise. Place the mount on the light stand and secure the screw by turning clockwise. Please insure the light stand is fully mounted onto the support and the screw is securely fastened.



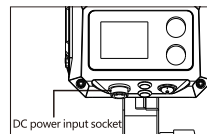
2) To adjust the light to the desired angle, turn the angle adjustment & locking handle counterclockwise to loosen. Move the light to the desired position, then tighten the angle adjustment & locking handle by turning clockwise.

2.Placing the power adapter

Use the safety cable to hand the power adapter on the light support.

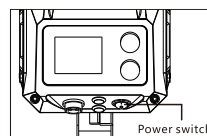
3.Power supply

Connect the power adapter to the light fixture by inserting the power adapter plug into the DC power input socket on the lower left corner of the light fixture. Connect the AC power cable to the external AC power (AC100-240V).



4.Power ON/OFF

Press the power button to turn the light on. The LCD will provide relevant data, turn the mode switch knob to see data for brightness, color temperature, special effects, DMX, language, and address.



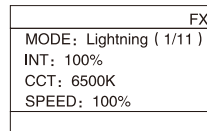
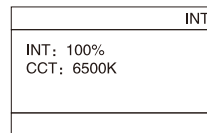
5.Brightness/Color Temperature Mode

Turn the mode switch knob to enter brightness/color temperature interface, and short press the selector knob to switch between brightness and color temperature modes. Turn the selector knob to adjust brightness from 0-100% or color temperature from 2700K-6500K (Warrior 300X only).

6.FX Mode

Turn the mode switch knob to enter the special effects interface. Short press the selector knob to switch between brightness, color temperature (300X only), FX mode and speed settings; turn the selector knob to adjust the desired setting. Brightness and speed are adjustable 0-100%. Color temperature is adjustable 2700K-6500K (300X only).

The brightness and speed adjustment range is 0-100%. The color temperature adjustment range is 2700K-6500K. The special effect modes include lightning, fireworks, strobe, breathing, cop car, SOS, fault light, turn signal, paparazzi, screen, H&L beam.



I.Introduction

Thank you for choosing the Warrior 300/300X LED light from FotodioX.

- 1.High-power COB LED light source with accurate color temperature, CRI/TLCI ≥ 95 and a working life of more than 50,000 hours.
- 2.Flicker-free and uniformly dimmable from 0%-100% due to the PWM integrated design.
- 3.11 pre-installed special effects with adjustable brightness, color temperature and speed to help create the perfect scene.
- 4.Built-in NTC temperature detection to automatically control the fan and prevent overheating to ensure a long product life.
- 5.The color LCD displays accurate real-time data.
- 6.Designed with a high-strength aluminum shell for durability and enhanced heat dissipation to help ensure a long product life.
- 7.Low heat LED technology provides stable, consistent, and accurate lighting under varying conditions.
- 8.Mobile APP compatible for convenient and fast control.
- 9.It comes with DMX dimming function, through which 512 different channels of lights can be controlled by DMX console or dimming controller.
- 10.Two versions available; Warrior 300 daylight version and 300X adjustable bi-color version (2700K-6500K).
- 11.Bi-color design is adjustable from 2700K to 6500K.
- 12.Suitable for indoor or outdoor photography and videography. Great for studio or location shoots including TV, film, streaming, portrait photography and more.

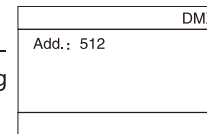
II. Warnings

- 1.Do not disassemble or modify the light.
- 2.Do not operate with wet hands, doing so may cause electric shock.
- 3.Do not operate in environments near flammable gasses or volatile liquids as this may increase the risk of explosion/fire.
- 4.Do not operate in enclosed spaces where heat buildup can be extreme, such as a car on a sunny day. The increased heat may cause premature failure of the lighting unit.
- 5.Do not touch the plug or AC adapter with wet hands; doing so may cause electric shock.
- 6.Do not damage, disassemble, pull or twist the power cord, otherwise it may cause fire or electric shock.
- 7.Do not place under heavy objects.

IV.Usage

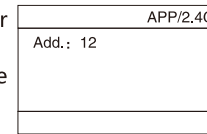
7.DMX Mode

Rotate the mode switch knob to enter the DMX interface. Rotate the multi-function knob to adjust the DMX address, increasing clockwise and decreasing counterclockwise. The adjustment range of DMX address is 1-512.



8.Remote control Mode

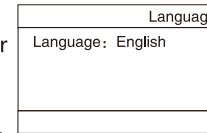
Turn the mode switch knob to enter the address interface, rotate the selector knob to adjust the remote control address 1-12. Noted:RMT-OFF means that the remote control function can not be used.



Noted:RMT-OFF means that the remote control function can not be used.

9.Language Mode

Turn the mode switch knob to enter the language interface, then turn the selector knob to switch between Chinese and English.



10.How to use Lishuai APP

Download the Lishuai APP by scanning the appropriate QR code below, searching Lishuai in the iOS APP store or downloading the Android APP from www.fotodioXpro.com.

Open the APP, select Coolcam then select model 300D/300X; click to search device and enter the control interface.



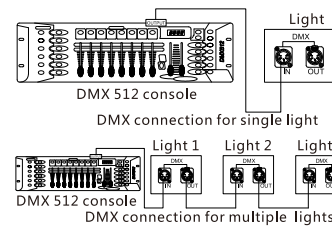
Set the APP address to the same address as the light. The APP address can be set 1-12. Now the light can be controlled by the mobile APP. The brightness, color temperature, special effects, language, and APP address can be adjusted.

11.DMX connection

When using DMX, connect the DMX cable to the console as below. Set up DMX address same as DMX console. Now the light is controlled by DMX signal.

12.DMX control

Please see below details of DMX address on LCD and corresponding channels on DMX console.

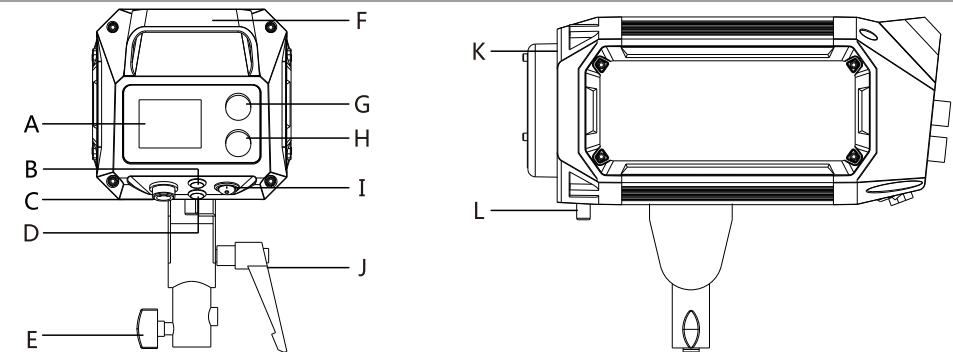


DMX address on LCD	Corresponding channel on DMX console
1	1-1 (Brightness) , 1-2 (CCT)
2	1-2 (Brightness) , 1-3 (CCT)
.....
16	1-16 (Brightness) , 2-1 (CCT)
17	2-1 (Brightness) , 2-2 (CCT)
.....
511	32-15 (Brightness) , 32-16 (CCT)
512	

II. Warnings

- 8.Avoid dust and debris buildup on the light surface as this will change illuminance and color temperature.
- 9.Keep the light surface clean with a soft, dry cloth.
- 10.Use ONLY the provided AC power adapter; using other AC power adapters may result in damage to the light. Should you need a replacement please contact techsupport@fotodioX.com
- 11.When using accessories please ensure that these are installed properly to avoid damage to the light or other safety issues caused by falling accessories.
- 12.Please loosen the adjustment & locking handle before adjusting the angle of the lamp body.

III.Parts Identification



- Ⓐ LCD
- Ⓑ DMX IN
- Ⓒ DC power input socket
- Ⓓ DMX OUT
- Ⓔ Stand mount locking screw
- Ⓕ Integrated carrying handle
- Ⓖ Selector knob (with push button functionality)
- Ⓖ Mode switch knob
- Ⓘ Power ON/OFF button
- Ⓙ Angle adjustment & locking handle
- Ⓚ Bowens accessory mount
- Ⓛ Bowens mount accessory lock button

V.Product specifications

Product model	Warrior 300	Warrior 300X
CCT Color temperature	5600K(±300K)	2700K(±150K)-6500K(±300K)
Brightness adjustment range	0-100%	
CRI	≥96	≥95
Beam angle	120°	
Scene	11 pre-installed FX modes	
Power	310W	310W max
Working voltage	AC power adapter:AC100V-240V,Light fixture:DC48V	
Size	29 x 13.2 x 24cm(11.4 x 5.2 x 9.45in)	
Net weight	2.75kg(6.06lbs)	
Item included	LED light x1, Power Cord x1, 55° Standard reflector x 1, AC power adapter x1, Safety cable x 1	

Warrior 300 Illuminance data						
CCT	Distance	1m	2m	3m	4m	5m
5600K	W/O reflector	11059Lux	2819Lux	1281Lux	746Lux	485Lux
	W/ 55° reflector	33317Lux	7618Lux	3267Lux	1812Lux	1162Lux
Warrior 300X Illuminance data						
CCT	Distance	1m	2m	3m	4m	5m
2700K	W/O reflector	6546Lux	1684Lux	771Lux	451Lux	295Lux
	W/ 55° reflector	20168Lux	4650Lux	2017Lux	1120Lux	719Lux
3200K	W/O reflector	8187Lux	2107Lux	965Lux	565Lux	371Lux
	W/ 55° reflector	25412Lux	5853Lux	2535Lux	1406Lux	904Lux
4400K	W/O reflector	9087Lux	2337Lux	1074Lux	630Lux	414Lux
	W/ 55° reflector	28431Lux	6525Lux	2836Lux	1579Lux	1014Lux
5600K	W/O reflector	9968Lux	2554Lux	1171Lux	690Lux	451Lux
	W/ 55° reflector	31628Lux	7165Lux	3100Lux	1724Lux	1107Lux
6500K	W/O reflector	9351Lux	2410Lux	1102Lux	646Lux	423Lux
	W/ 55° reflector	29512Lux	6793Lux	2929Lux	1631Lux	1046Lux

Product specifications are based on testing our laboratory samples. The product may vary slightly, however these variations will not affect normal use. The design and specifications are subject to change without notice.